



GREAT BRITISH  
SPORTS CARS

# Paint Options & Prices





The paint process...  
Behind  
the  
scenes....



Behind the scenes at paint.



Behind the scenes at paint.



Behind the scenes at paint.



Bespoke  
paint  
options  
just for  
you.....



GREAT BRITISH  
SPORTS CARS

# PAINT PRICES & OPTIONS

Here you can make your Zero even more stylish with a full range of custom paint options which can be truly individual to you.

Paint is fast becoming a popular option and is a service that we offer. We are able to colour match and design your cars paint effect with you from start to finish. The paint option is available on both Zero Self Builds and Factory Builds.

Prices + VAT	Prices Inc VAT	<u>PART No</u>	<u>PAINT OPTIONS-</u>
£2,310	£2,772	KOE0158 -	Full Shell painted (Prime and Paint)
POA	POA	KOE0162 -	3 Stage Pearl
£320	£384	KOE0152 -	Single Full Length painted Stripe (Any Colour)
£140	£168	KOE0151 -	Extra Stripe (each)
POA	POA		Custom Stripes.
£200	£240	KOE0167-	Tunel Panel (3 piece)
£145	£174	KOE0156 -	Headlights single colour (pair)
£70	£84	KOE0161 -	Separate coloured Surround (pair)
£125	£150	KOE0155 -	Dash (Any colour)
£190	£228	KOE0157 -	Diffuser (Any colour)
POA	POA		Wheels (Powder coated any colour / each)
POA	POA		Custom paint design

Please note the price for the options are based on when cars full shell is painted. If you are wanting them done at a later date the price will be different.

#### PAINTED STRIPES:

Standard 3 stripe design is: 15mm Stripe / 10mm Gap / 75mm Stripe / 10mm Gap / 15mm Stripe.

GBS Stripe with nose band split - £432.00 inc vat – Part Number: KOE0168

Lotus style stripe with nose band - £432.00 inc vat – Part Number: KOE0169



# PREPARE & PANEL FOR PAINT

Our workshop team can prepare and panel your Zero for you, so its ready for paint or this can be done by yourself if you prefer.



Factory prepared and paneled ready for paint.

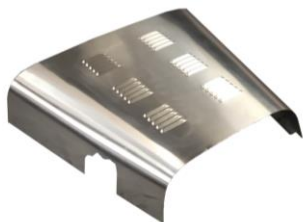
Labour 4 days @ 8 hrs / £60 +vat per hour = £2,304.00 Inc VAT

\*Preparation and paneling is included in some Zero Self Build options.

Other Options:

- Labour to Install Brake Lines - £84.00 (LAB0006)
- Labour to Install Plastic Fuel Lines - £24.00 (LAB0007)
- Labour to Install Chassis Engine Harness - £84.00 (LAB0005)

All prices include VAT.



The paint process.....

Paint can take around 2 to 4 weeks, depending on the design and paint colour. Once your car is with us and the design is confirmed we will be able to give you a more accurate time scale of how long it will be.



We do not colour match to the GRP, as we paint GRP to ensure colour consistency. We are happy to paint your GBS Zero in any major car manufactures colour so long as you are able to provide a paint code to ensure we get the correct colour. Colour samples / swatches are available upon request, please speak to one of our team for more details.

*Please note: More work and additional costs may occur if we are required to prepare your Zero for paint if the panels are not prepared correctly.*

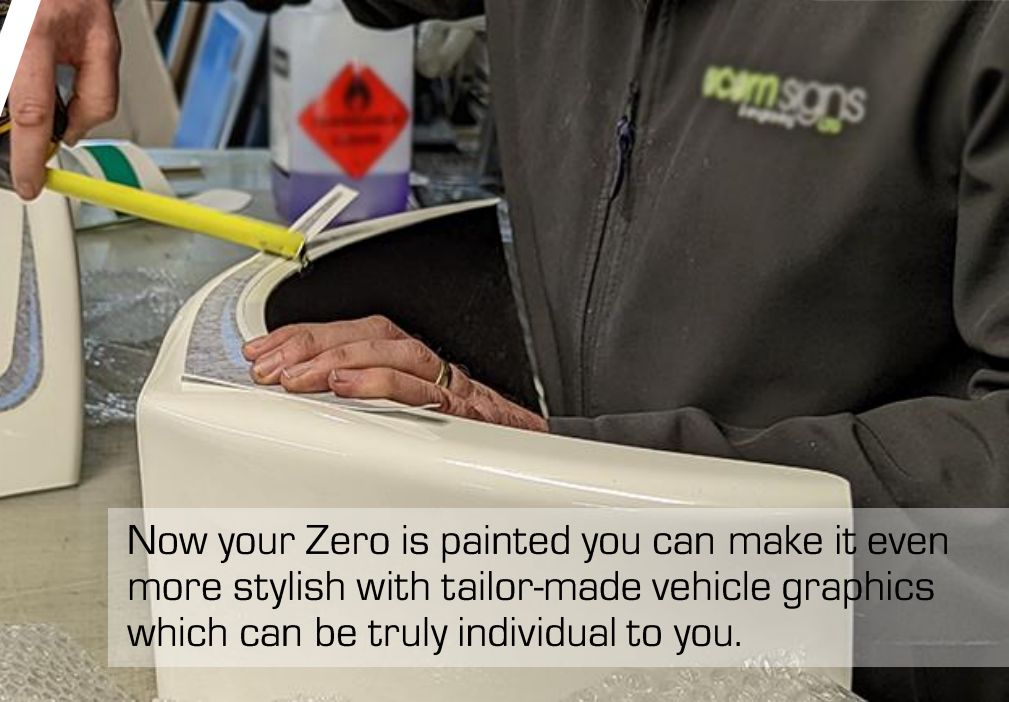




# Full Custom Vehicle Graphics

Bespoke to you



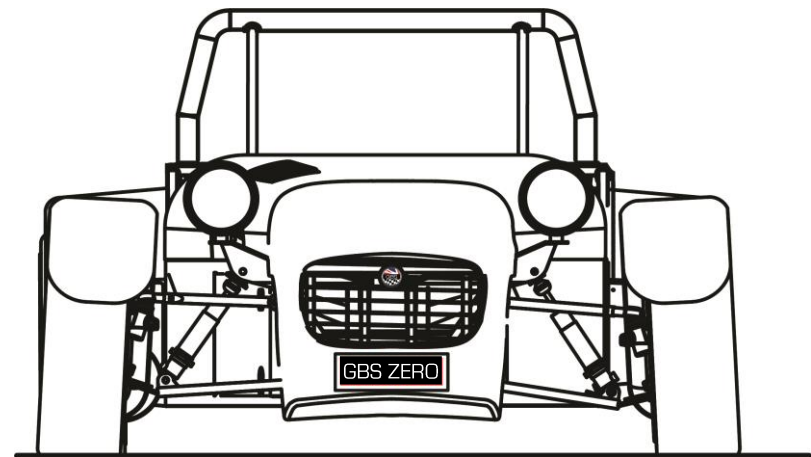
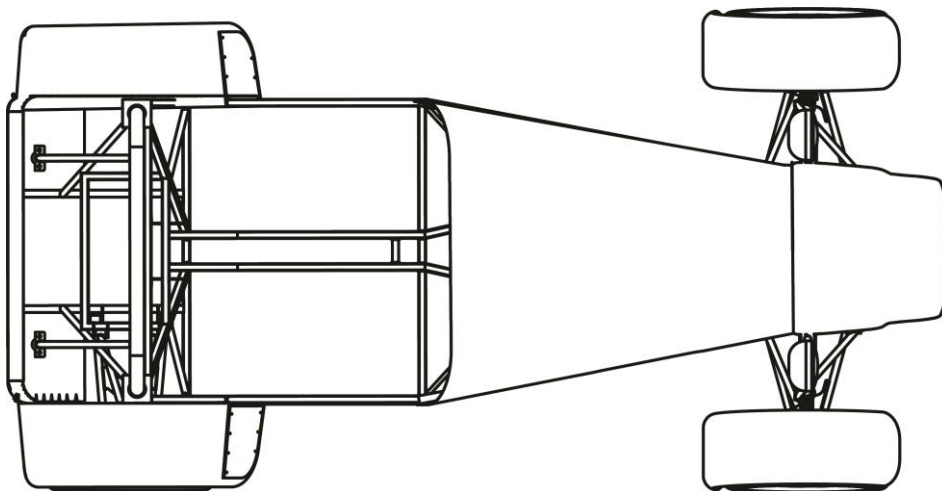
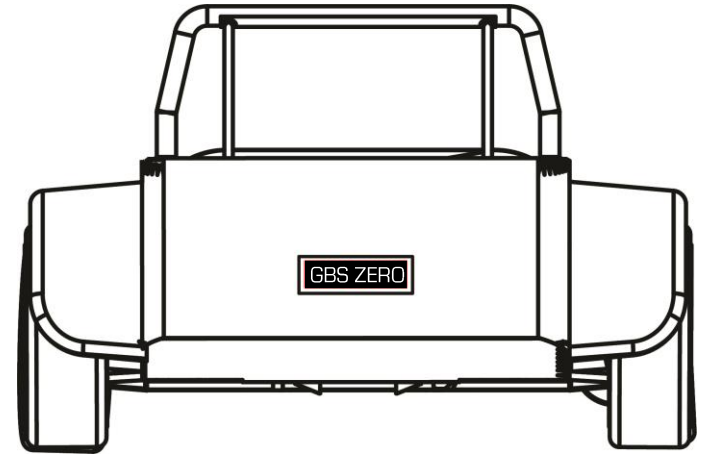
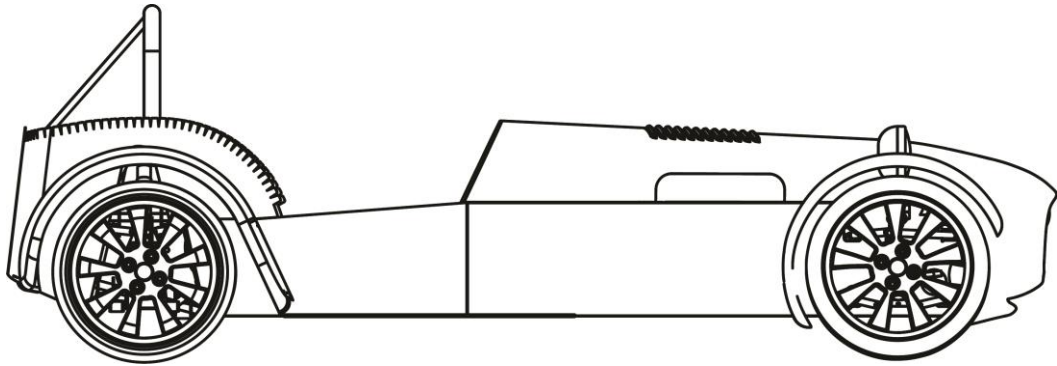


Now your Zero is painted you can make it even more stylish with tailor-made vehicle graphics which can be truly individual to you.





Personalise your Zero.....





# GREAT BRITISH SPORTS CARS



Great British Sports Cars Ltd  
Maun Way, Boughton, Ollerton, Nottingham, NG22 9ZD, UK  
Email: [info@greatbritishsportscars.co.uk](mailto:info@greatbritishsportscars.co.uk)  
Telephone: Tel: +44 (0) 1623 860990  
[www.greatbritishsportscars.co.uk](http://www.greatbritishsportscars.co.uk)

